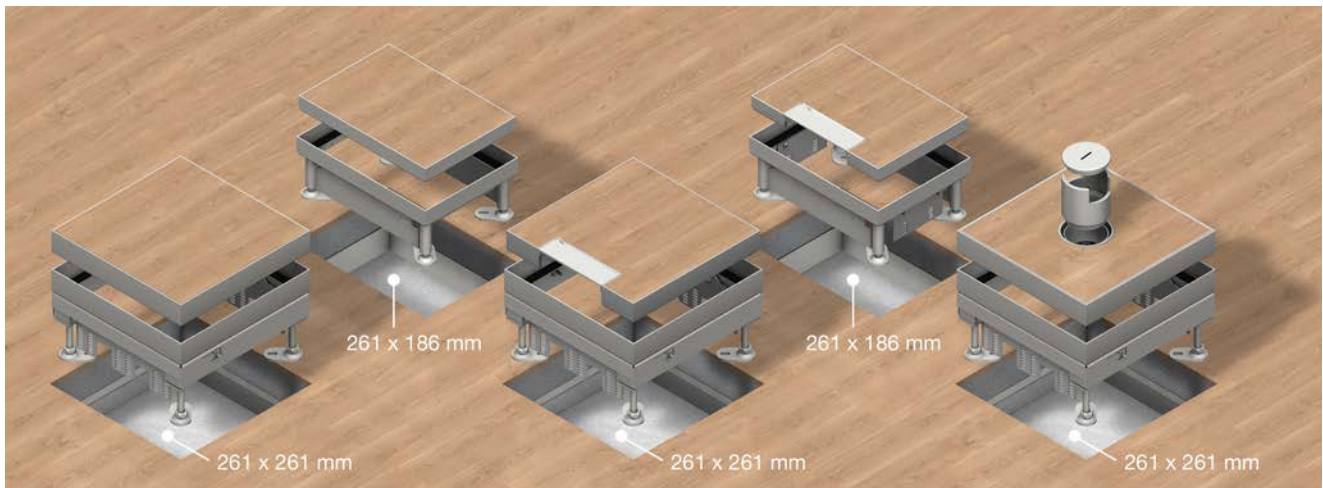


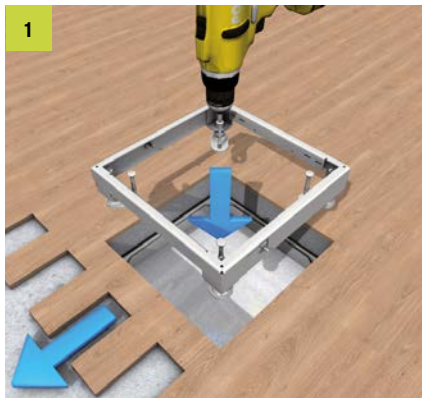
# Cartridge unit made of stainless steel, quadrangular

Assembly instruction



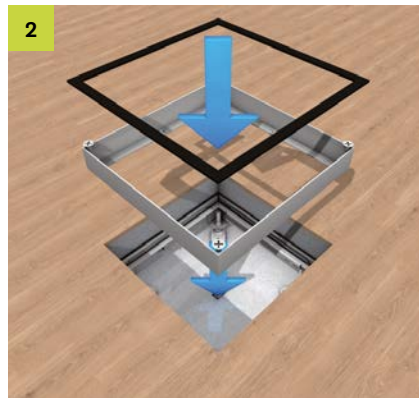


Quadrangular cartridge unit with hem, made of stainless steel, as a dummy cartridge unit, cable outlet cartridge unit and tube cartridge unit for the installation into screed and hollow floors. For 12/22/32/42 mm parquet and stone covers and linoleum in combination with rigid foam lid insert. Can be levelled from 65 to 315 mm.



#### 1 Levelling device

For parquet or stone floors insert the levelling device into the floor opening. Fasten the four levelling bases with nail plugs.



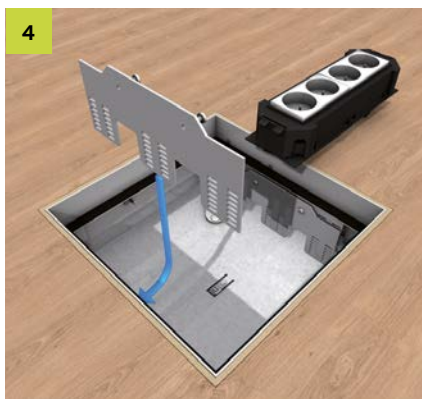
#### 2 Stainless steel frame

Screw the stainless steel frame to the levelling device with four screws. Glue rubber seal in place. Make the grounding connection between levelling device and floor box. A regular maintenance and cleaning of the seals is necessary.



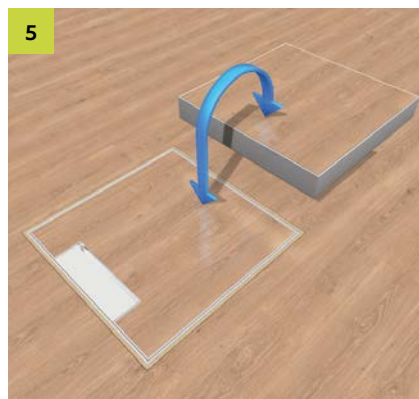
#### 3 Floor adjustment

Align the installation frame flush to the level of the finished floor with the four levelling screws. Seal the expansion joint all around with a suitable sealing compound.



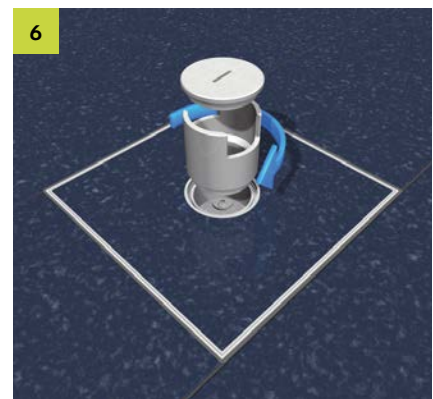
#### 4 Lock-in leads

Mount both lock-in leads with two screws each on the side of the frame. Create grounding connection between levelling device and floor box. When using a coupler plug  $H = 35$  mm, comply with the minimum installation depth  $H_{min} = 95$  mm.



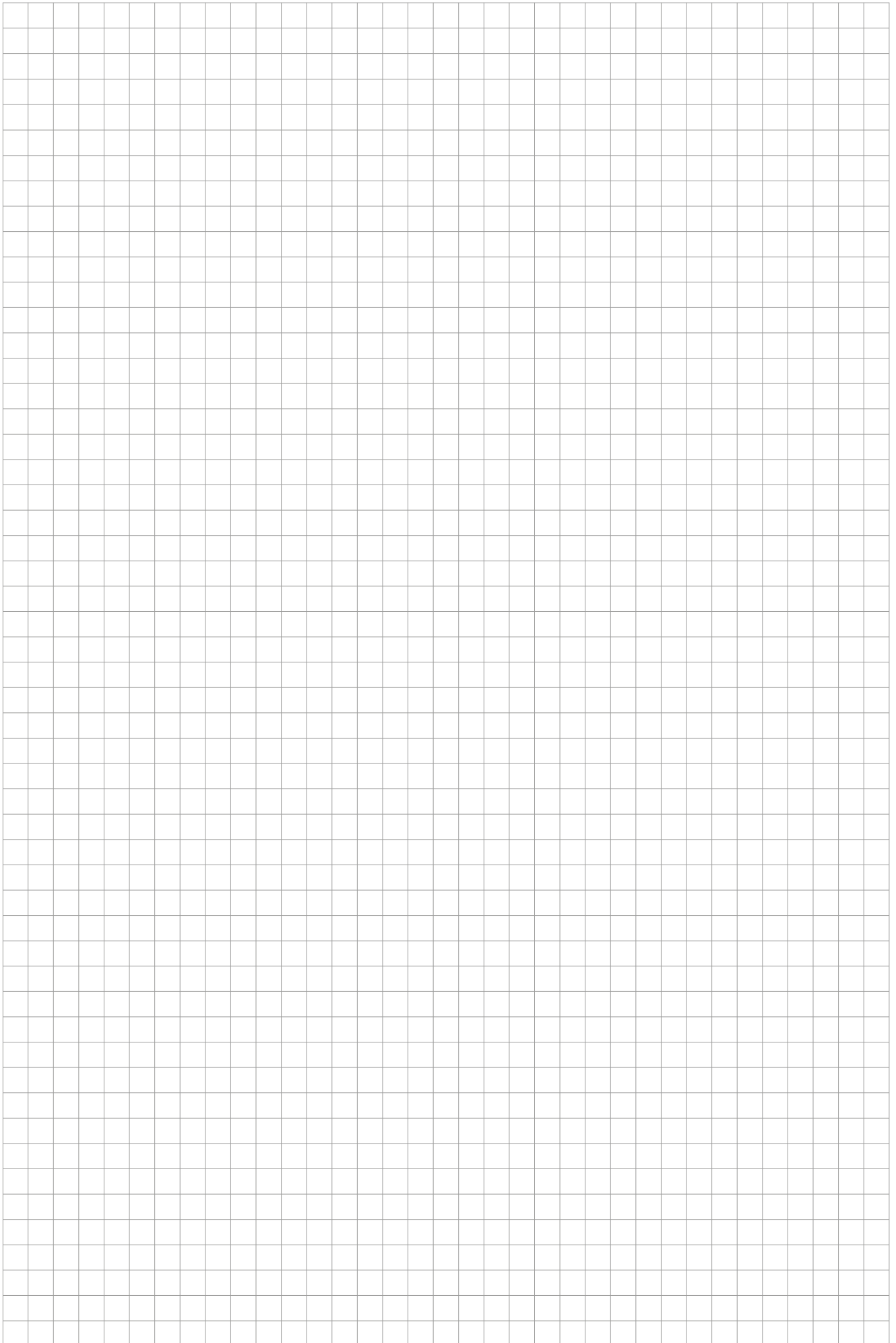
#### 5 Parquet cover

For damp maintenance floors such as parquet covers, use a dummy cartridge unit or a cable outlet cartridge unit. However, the floor cover depth must be considered. Insert the replaceable cartridge into the frame. Observe the potential equalization.



#### 6 Stone cover

For wet maintenance floor covers such as stone covers, only a tube cartridge unit may be used. However, the floor cover depth must be considered. Insert the replaceable cartridge into the frame. The tube can be screwed. Observe the potential equalization.



All rights reserved. Reprinting and any electronic reproduction only authorised with our written permission. Errors excepted and subject to technical changes. No liability can be accepted by the publisher on any legal basis whatsoever. This publication supersedes all previous versions of the document, thereby rendering them invalid.

© PohlCon | PC-LIT-MA-UFS-UEKD-V-E-EN | 10-2023 | 2. u. | 06-2024

**PohlCon GmbH**

Nobelstr. 51  
12057 Berlin  
Germany

T +49 30 68283-04  
F +49 30 68283-383

[www.pohlcon.com](http://www.pohlcon.com)